

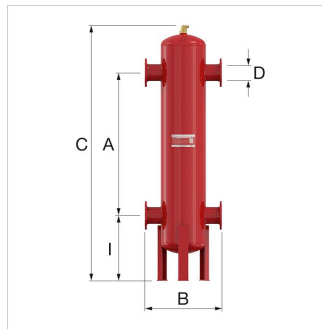
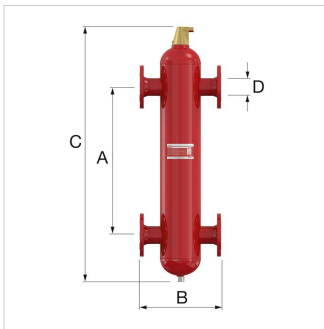


Product Data Sheet (2018-09-02)

28447 - Flexbalance hydraulic separator 200F



Description	Flexbalance hydraulic separator 200F	
Article	28447	
Model	FlexBalance F	
Capacity [l]	800	
Connection	DN	200
	D [mm]	219.1
Capacity [kW] *	1500 - 2800	
Flow in the system [m ³ /h]	90 - 200	
K _v ** [m ³ /h] (ΔP = 1 bar)	1230	
Weight [kg]	295	



Packaging info

Unity of use	1 Piece
Packaging form	Crate
Packaging dimensions (H. x W. x L.)	820 x 1110 x 3470 mm
Weight	295 Kilogram



Classification General Data

Etim Group	Distributors/collectors
Etim Class	Open CH distributor
Product Name	Flexbalance hydraulic separator 200F
Brand	Flamco
Product Series	Flexbalance 50-200 R
Product Type	200

Attributes

Material	Steel
Surface protection	Powder coating
Max. heating power [kW]	2800
Number of boiler connections	2
Boiler connection model	Flange
Nominal inner diameter, boiler connections	Other
Installation side connection model	Flange
Nominal inner diameter, installation side	Other
Nominal inner diameter, shunt pipe	Not applicable
Number of air-release connections	1
Nominal inner diameter, air-release	1/2" inside

Type	Dimensions					
	A [mm]	B [mm]	C [mm]	E [mm]	H [mm]	I [mm]
FlexBalance F 50	490	350	900	88	154	
FlexBalance F 65	635	350	1045	88	154	
FlexBalance F 80	745	470	1340	135	188	
FlexBalance F 100	965	470	1585	135	188	
FlexBalance F 125	1180	635	2065	180	213	
FlexBalance F 150	1430	774	2585	225	237	655
FlexBalance F 200	1860	1000	3355	300	277	825

Flamco Group
 Amersfoortseweg 9
 3751 LJ, Bunschoten - nl
T +31 33 299 75 00
F +31 33 298 64 45
E info@flamcogroup.com
I flamcogroup.com