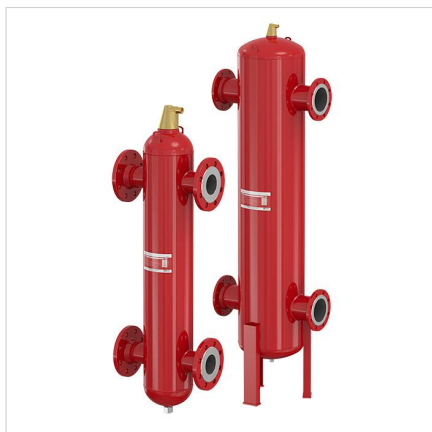
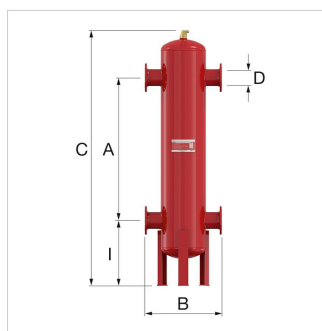
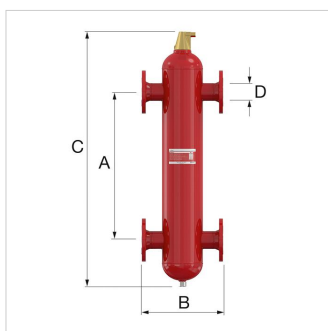


**Product Data Sheet (2018-09-02)**
**28441 - Flexbalance hydraulic separator 50F**


Description	Flexbalance hydraulic separator 50F	
Article	28441	
Model	FlexBalance F	
Capacity [l]	17	
Connection	DN	50
	D [mm]	60.3
Capacity [kW] *	100 - 200	
Flow in the system [m <sup>3</sup> /h]	5 - 15	
K <sub>v</sub> ** [m <sup>3</sup> /h] (ΔP = 1 bar)	100	
Weight [kg]	25	


**Packaging info**

Unity of use	1 Piece
Packaging form	Crate
Packaging dimensions (H. x W. x L.)	360 x 450 x 1140 mm
Weight	25 Kilogram



## Classification General Data

<b>Etim Group</b>	Distributors/collectors
<b>Etim Class</b>	Open CH distributor
<b>Product Name</b>	Flexbalance hydraulic separator 50F
<b>Brand</b>	Flamco
<b>Product Series</b>	Flexbalance 50-200 R
<b>Product Type</b>	50

## Attributes

<b>Material</b>	Steel
<b>Surface protection</b>	Powder coating
<b>Max. heating power [kW]</b>	200
<b>Number of boiler connections</b>	2
<b>Boiler connection model</b>	Flange
<b>Nominal inner diameter, boiler connections</b>	DN 50
<b>Installation side connection model</b>	Flange
<b>Nominal inner diameter, installation side</b>	DN 50
<b>Nominal inner diameter, shunt pipe</b>	Not applicable
<b>Number of air-release connections</b>	1
<b>Nominal inner diameter, air-release</b>	1/2" inside

Type	Dimensions					
	A [mm]	B [mm]	C [mm]	E [mm]	H [mm]	I [mm]
<b>FlexBalance F 50</b>	490	350	900	88	154	
<b>FlexBalance F 65</b>	635	350	1045	88	154	
<b>FlexBalance F 80</b>	745	470	1340	135	188	
<b>FlexBalance F 100</b>	965	470	1585	135	188	
<b>FlexBalance F 125</b>	1180	635	2065	180	213	
<b>FlexBalance F 150</b>	1430	774	2585	225	237	655
<b>FlexBalance F 200</b>	1860	1000	3355	300	277	825

Flamco Group  
 Amersfoortseweg 9  
 3751 LJ, Bunschoten - nl  
**T** +31 33 299 75 00  
**F** +31 33 298 64 45  
**E** [info@flamcogroup.com](mailto:info@flamcogroup.com)  
**I** [flamcogroup.com](http://flamcogroup.com)