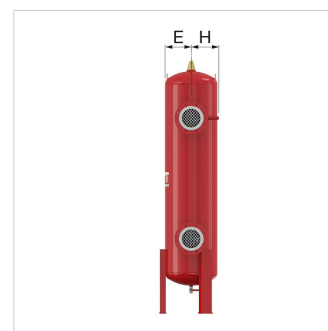
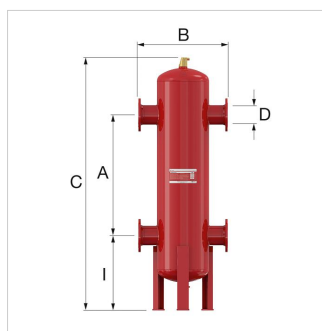
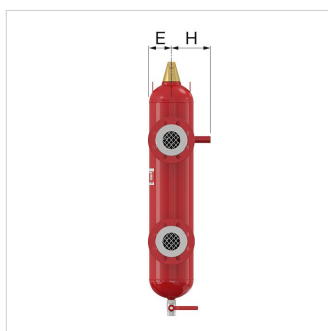
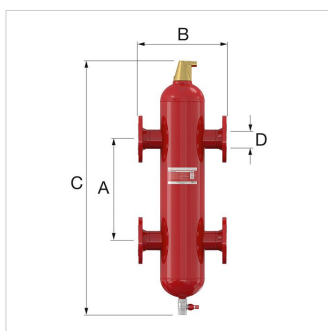


Product Data Sheet (2018-09-03)
28483 - Flexbalance hydr. separator Plus 100F


Description		Flexbalance hydr. separator Plus 100F
Article		28483
Model		FlexBalance Plus F
Capacity [l]		56.0
Connection	DN	100
	D [mm]	114.3
Capacity [kW] *		400 - 770
Flow in the system [m ³ /h]		25 - 55
K _v ** [m ³ /h] (ΔP = 1 bar)		317
Weight [kg]		55


Packaging info

Unity of use	1 Piece
Packaging form	Crate
Packaging dimensions (H. x W. x L.)	460 x 570 x 1480 mm
Weight	79.5 Kilogram



Classification General Data

Etim Group	Distributors/collectors
Etim Class	Open CH distributor
Product Name	Flexbalance hydr. separator Plus 100F
Brand	Flamco
Product Series	Flexbalance Plus 50-200 R
Product Type	100

Attributes

Material	Steel
Surface protection	Powder coating
Max. heating power [kW]	770
Number of boiler connections	2
Boiler connection model	Flange
Nominal inner diameter, boiler connections	DN 100
Installation side connection model	Flange
Nominal inner diameter, installation side	DN 100
Nominal inner diameter, shunt pipe	Not applicable
Number of air-release connections	1
Nominal inner diameter, air-release	1/2" inside

Type	Dimensions					
	A [mm]	B [mm]	C [mm]	E [mm]	H [mm]	I [mm]
FlexBalance Plus F 50	400	350	950	88	154	
FlexBalance Plus F 65	400	350	950	88	154	
FlexBalance Plus F 80	625	470	1265	135	188	
FlexBalance Plus F 100	625	470	1265	135	188	
FlexBalance Plus F 125	830	635	1767	180	213	
FlexBalance Plus F 150	1040	774	2175	225	237	645
FlexBalance Plus F 200	1400	1000	2895	300	277	825
FlexBalance Plus F 250	1850	1220	3646	400	325	977
FlexBalance Plus F 300	1850	1220	3646	400	369	977

Flamco Group
 Amersfoortseweg 9
 3751 LJ, Bunschoten - nl
T +31 33 299 75 00
F +31 33 298 64 45
E info@flamcogroup.com
I flamcogroup.com