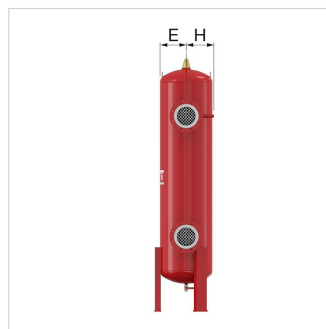
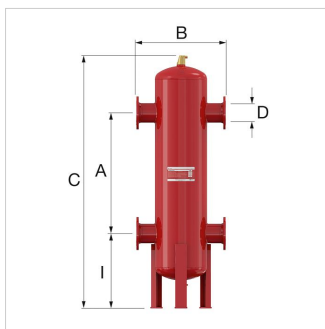
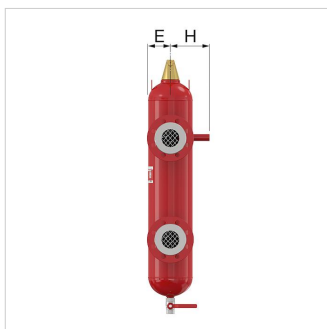
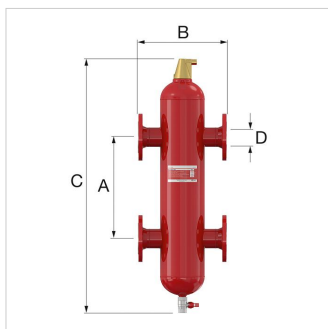


Product Data Sheet (2018-09-03)
28482 - Flexbalance hydraulic separator Plus 80F


Description		Flexbalance hydraulic separator Plus 80F
Article		28482
Model		FlexBalance Plus F
Capacity [l]		56.0
Connection	DN	80
	D [mm]	88.9
Capacity [kW] *		300 - 450
Flow in the system [m ³ /h]		15 - 30
K _v ** [m ³ /h] (ΔP = 1 bar)		189
Weight [kg]		50


Packaging info

Unity of use	1 Piece
Packaging form	Crate
Packaging dimensions (H. x W. x L.)	460 x 570 x 1480 mm
Weight	57 Kilogram



Classification General Data

Etim Group	Distributors/collectors
Etim Class	Open CH distributor
Product Name	Flexbalance hydraulic separator Plus 80F
Brand	Flamco
Product Series	Flexbalance Plus 50-200 R
Product Type	80

Attributes

Material	Steel
Surface protection	Powder coating
Max. heating power [kW]	450
Number of boiler connections	2
Boiler connection model	Flange
Nominal inner diameter, boiler connections	DN 80
Installation side connection model	Flange
Nominal inner diameter, installation side	DN 80
Nominal inner diameter, shunt pipe	Not applicable
Number of air-release connections	1
Nominal inner diameter, air-release	1/2" inside

Type	Dimensions					
	A [mm]	B [mm]	C [mm]	E [mm]	H [mm]	I [mm]
FlexBalance Plus F 50	400	350	950	88	154	
FlexBalance Plus F 65	400	350	950	88	154	
FlexBalance Plus F 80	625	470	1265	135	188	
FlexBalance Plus F 100	625	470	1265	135	188	
FlexBalance Plus F 125	830	635	1767	180	213	
FlexBalance Plus F 150	1040	774	2175	225	237	645
FlexBalance Plus F 200	1400	1000	2895	300	277	825
FlexBalance Plus F 250	1850	1220	3646	400	325	977
FlexBalance Plus F 300	1850	1220	3646	400	369	977

Flamco Group
 Amersfoortseweg 9
 3751 LJ, Bunschoten - nl
T +31 33 299 75 00
F +31 33 298 64 45
E info@flamcogroup.com
I flamcogroup.com