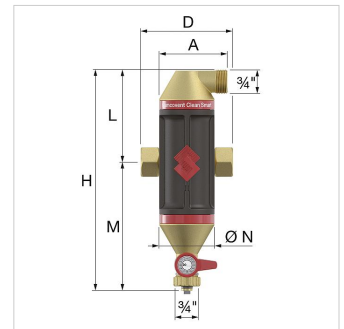
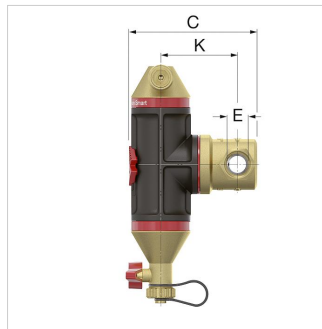
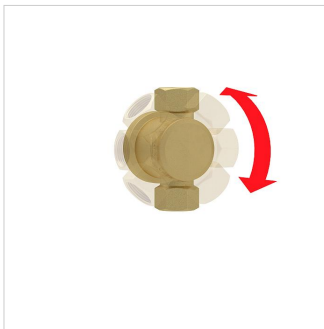


Product Data Sheet (2018-09-04)
30041 - Flamcovent Clean Smart 3/4


Description	Flamcovent Clean Smart 3/4	
Article	30041	
Model	Flamcovent Clean Smart	
Connection (E)	Rp $\frac{3}{4}$ "	
Dimensions	A [mm]	74
	C [mm]	133
	D [mm]	100
	K [mm]	78
	L [mm]	101
	M [mm]	140
	H/H1 [mm]	241
	Ø N [mm]	60
Weight [kg]	1.2	


Packaging info

Unity of use	1 Piece
Packaging form	Box
Packaging dimensions (H. x W. x L.)	113 x 171 x 265 mm
Weight	1.458 Kilogram

Classification General Data

Etim Group	Filters/separators
Etim Class	Air-/dirt separator for CH/cooling system
Product Name	Flamcovent Clean Smart Rp $\frac{3}{4}$ "
Brand	Flamco
Product Series	Flamcovent Clean Smart
Product Type	3/4

Attributes

Material	Plastic
Separator type	Air/dirt
Suitable for heating	Yes
Suitable for cooling	Yes
Nominal inner diameter	3/4 inch (20)
Outer pipe diameter [mm]	26.9
Connection	Internal thread
Construction length [mm]	100
Article compression class	PN 10
Surface protection	Untreated
Operating principle	Other
Flow-through capacity [m³/h]	0 - 3.0782
Suitable for open system	No
Suitable for closed system	Yes
With blow-off valve	Yes
With dismountable filter	No
Filter volume [l]	0.32
Filter mesh density [mm]	0
With automatic de-aerator	No
With integrated replenishment automat	No
With couplers	No
Inlet/outlet offset distance [mm]	0
Max. medium temperature (continuous) [°C]	120

Flamco Group
 Amersfoortseweg 9
 3751 LJ, Bunschoten - nl
T +31 33 299 75 00
F +31 33 298 64 45
E info@flamcogroup.com
I flamcogroup.com