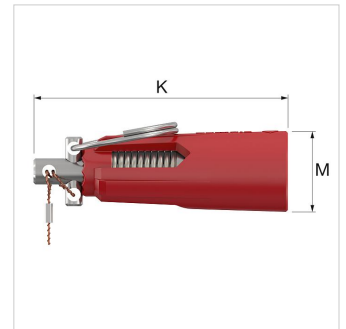
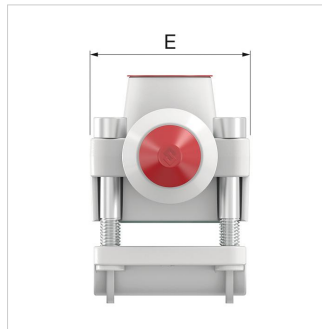
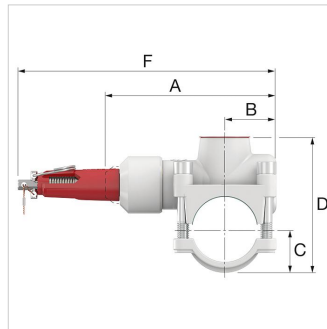


Product Data Sheet (2018-09-03)

90515 - T-plus brass 15 x G $\frac{1}{2}$ "M



Description	T-plus brass 15 x G $\frac{1}{2}$ "M	
Article	90515	
Model	T-plus Brass	
Ø Pipe ext. dia. [mm]	15	
Branch connection	G $\frac{1}{2}$ " M	
Suitable for	Thin-walled steel	<input checked="" type="checkbox"/>
	Copper	<input checked="" type="checkbox"/>
	SST	<input checked="" type="checkbox"/>
Max. permissible wall thickness	Thin-walled steel [mm]	1.25
	Copper [mm]	1.25
	SST [mm]	1.00
Torque [Nm]	6	



Packaging info

Unity of use	1 Piece
Packaging form	Box
Packaging dimensions (H. x W. x L.)	48 x 100 x 70 mm
Weight	0.355 Kilogram



Classification General Data

Etim Group	Fittings, flanges and connectors
Etim Class	Broaching saddle
Product Name	T-plus brass 15 x G $\frac{1}{2}$ "M
Brand	Flamco
Product Series	T-PLUS brass
Product Type	15x1/2"x15 brass

Attributes

Material	Brass
Surface protection	Lacquered
Suitable for pipe diameter	Other
Suitable for outer pipe diameter [mm]	15
Mounted on pipe	Clamp
Undrilled	No
With cutter	Yes
Nominal inner diameter	1/2 inch (15)
Outer pipe diameter [mm]	21.3
Connection	Outer thread gas cylindrical (BSP)
KIWA certified	Yes
Gastec QA	No
Permitted by NCP	No
FM quality mark	No
UL quality mark	No
ULC quality mark	No
VdS quality mark	No
LPCB quality mark	No
Number of scales	2
Width [mm]	35
Min. medium temperature (continuous) [°C]	-10
Max. medium temperature (continuous) [°C]	120

Type	Dimensions							
	A [mm]	B [mm]	C [mm]	D [mm]	E [mm]	F + 13 [mm]	K [mm]	M [mm]
T-plus 14 x G $\frac{1}{2}$ M	75	17	13	48	35	141	66	21
T-plus 15 x G $\frac{1}{2}$ M	75	17	13	51	35	141	66	21
T-plus 16 x G $\frac{1}{2}$ M	75	17	12	46	35	141	66	21
T-plus 18 x G $\frac{1}{2}$ M	88	24	14	51	40	154	66	21
T-plus 22 x G $\frac{1}{2}$ M	88	24	15	58	40	154	66	21
T-plus 28 x Rp $\frac{3}{4}$	105	29	22	76	57	171	66	21
T-plus 35 x Rp $\frac{3}{4}$	108	30	25	82	56	174	66	21
T-plus 42 x Rp $\frac{3}{4}$	115	35	29	89	63	181	66	21

Flamco Group
Amersfoortseweg 9
3751 LJ, Bunschoten - nl
T +31 33 299 75 00
F +31 33 298 64 45
E info@flamcogroup.com
I flamcogroup.com