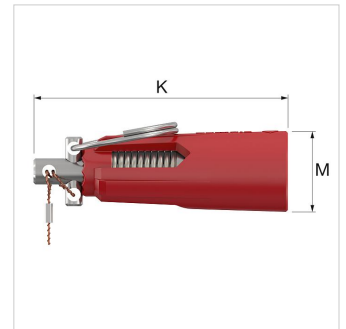
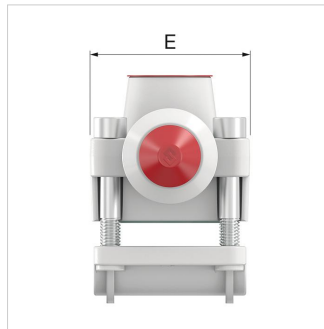
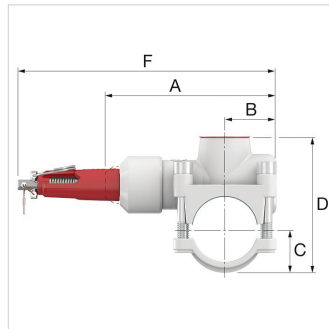


## Product Data Sheet (2018-09-03)

### 90542 - T-plus brass 42 x Rp $\frac{3}{4}$ "



Description	T-plus brass 42 x Rp $\frac{3}{4}$ "	
Article	90542	
Model	T-plus Brass	
Ø Pipe ext. dia. [mm]	42	
Branch connection	Rp $\frac{3}{4}$ "	
Suitable for	Thin-walled steel	<input checked="" type="checkbox"/>
	Copper	<input checked="" type="checkbox"/>
	SST	-
Max. permissible wall thickness	Thin-walled steel [mm]	1.50
	Copper [mm]	1.50
	SST [mm]	-
Torque [Nm]	10	



### Packaging info

Unity of use	1 Piece
Packaging form	Box
Packaging dimensions (H. x W. x L.)	68 x 127 x 92 mm
Weight	1.294 Kilogram



### Classification General Data

<b>Etim Group</b>	Fittings, flanges and connectors
<b>Etim Class</b>	Broaching saddle
<b>Product Name</b>	T-plus brass 42 x Rp $\frac{3}{4}$ "
<b>Brand</b>	Flamco
<b>Product Series</b>	T-PLUS brass
<b>Product Type</b>	42x3/4"x42 brass

### Attributes

<b>Material</b>	Brass
<b>Surface protection</b>	Lacquered
<b>Suitable for pipe diameter</b>	Other
<b>Suitable for outer pipe diameter [mm]</b>	42
<b>Mounted on pipe</b>	Clamp
<b>Undrilled</b>	No
<b>With cutter</b>	Yes
<b>Nominal inner diameter</b>	3/4 inch (20)
<b>Outer pipe diameter [mm]</b>	26.9
<b>Connection</b>	Inner thread gas conical (BSPT)
<b>KIWA certified</b>	Yes
<b>Gastec QA</b>	No
<b>Permitted by NCP</b>	No
<b>FM quality mark</b>	No
<b>UL quality mark</b>	No
<b>ULC quality mark</b>	No
<b>VdS quality mark</b>	No
<b>LPCB quality mark</b>	No
<b>Number of scales</b>	2
<b>Width [mm]</b>	63
<b>Min. medium temperature (continuous) [°C]</b>	-10
<b>Max. medium temperature (continuous) [°C]</b>	120

Type	Dimensions							
	A [mm]	B [mm]	C [mm]	D [mm]	E [mm]	F + 13 [mm]	K [mm]	M [mm]
T-plus 14 x G $\frac{1}{2}$ M	75	17	13	48	35	141	66	21
T-plus 15 x G $\frac{1}{2}$ M	75	17	13	51	35	141	66	21
T-plus 16 x G $\frac{1}{2}$ M	75	17	12	46	35	141	66	21
T-plus 18 x G $\frac{1}{2}$ M	88	24	14	51	40	154	66	21
T-plus 22 x G $\frac{1}{2}$ M	88	24	15	58	40	154	66	21
T-plus 28 x Rp $\frac{3}{4}$	105	29	22	76	57	171	66	21
T-plus 35 x Rp $\frac{3}{4}$	108	30	25	82	56	174	66	21
T-plus 42 x Rp $\frac{3}{4}$	115	35	29	89	63	181	66	21

Flamco Group  
Amersfoortseweg 9  
3751 LJ, Bunschoten - nl  
**T** +31 33 299 75 00  
**F** +31 33 298 64 45  
**E** [info@flamcogroup.com](mailto:info@flamcogroup.com)  
**I** [flamcogroup.com](http://flamcogroup.com)