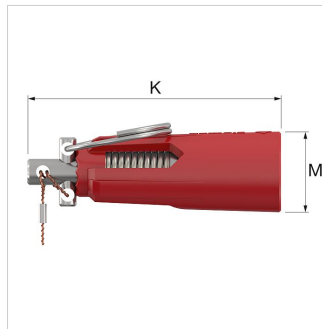
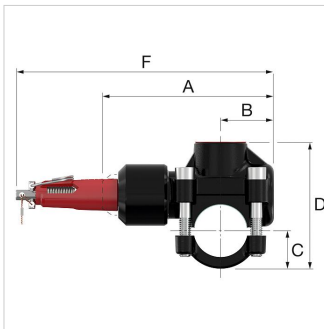


Product Data Sheet (2018-09-03)
90615 - T-plus cast iron DN15 (1/2") x Rp1/2"


Description		T-plus cast iron DN15 (1/2") x Rp1/2"
Article		90615
Model		T-plus Cast Iron
Ø Pipe	Nom.	1/2"
	Ext. [mm]	21.3
Branch connection		Rp 1/2"
Permissible wall thickness	Min. [mm]	2.0
	Max. [mm]	3.25
Torque [Nm]		10


Packaging info

Unity of use	1 Piece
Packaging form	Box
Packaging dimensions (H. x W. x L.)	55 x 112 x 72 mm
Weight	0.63 Kilogram



Classification General Data

Etim Group	Fittings, flanges and connectors
Etim Class	Broaching saddle
Product Name	T-plus cast iron DN15 (1/2") x Rp1/2"
Brand	Flamco
Product Series	T-PLUS Cast Iron
Product Type	1/2"x1/2"x1/2"

Attributes

Material	Cast iron
Surface protection	Lacquered
Suitable for pipe diameter	1/2 inch (15)
Suitable for outer pipe diameter [mm]	21.3
Mounted on pipe	Clamp
Undrilled	No
With cutter	Yes
Nominal inner diameter	1/2 inch (15)
Outer pipe diameter [mm]	21.3
Connection	Inner thread gas conical (BSPT)
KIWA certified	No
Gastec QA	No
Permitted by NCP	No
FM quality mark	No
UL quality mark	No
ULC quality mark	No
VdS quality mark	No
LPCB quality mark	No
Max. operating pressure at 20 °C [bar]	25
Number of scales	2
Width [mm]	47
Min. medium temperature (continuous) [°C]	-10
Max. medium temperature (continuous) [°C]	120

Type	Dimensions							
	A [mm]	B [mm]	C [mm]	D [mm]	E [mm]	F + 13 [mm]	K [mm]	M [mm]
T-plus DN 15 x Rp 1/2	100	28	19	67	47	166	66	21
T-plus DN 20 x Rp 1/2	113	34	21	77	50	179	66	21
T-plus DN 25 x Rp 3/4	115	35	25	83	56	181	66	21
T-plus DN 32 x Rp 1	130	38	29	102	69	196	66	21
T-plus DN 40 x Rp 1 1/4	165	55	35	123	83	231	66	21
T-plus DN 50 x Rp 1 1/4	167	55	43	136	83	233	66	21
T-plus DN 65 x Rp 1 1/4	190	66	52	153	83	256	66	21
T-plus DN 80 x Rp 1 1/4	190	66	58	168	83	256	66	21

Flamco Group
Amersfoortseweg 9
3751 LJ, Bunschoten - nl
T +31 33 299 75 00
F +31 33 298 64 45
E info@flamcogroup.com
I flamcogroup.com