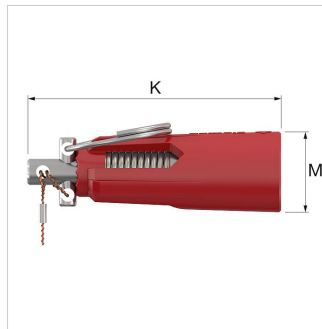
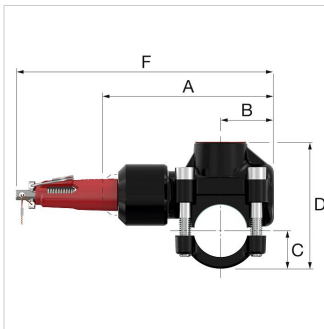


**Product Data Sheet (2018-09-03)**
**90680 - T-plus cast iron DN80 (3") x Rp1¼"**


Description		T-plus cast iron DN80 (3") x Rp1¼"
Article		90680
Model		T-plus Cast Iron
Ø Pipe	Nom.	3"
	Ext. [mm]	88.9
Branch connection		Rp 1 ¼"
Permissible wall thickness	Min. [mm]	2.9
	Max. [mm]	5.00
Torque [Nm]		30


**Packaging info**

Unity of use	1 Piece
Packaging form	Box
Packaging dimensions (H. x W. x L.)	96 x 222 x 180 mm
Weight	4.13 Kilogram



### Classification General Data

<b>Etim Group</b>	Fittings, flanges and connectors
<b>Etim Class</b>	Broaching saddle
<b>Product Name</b>	T-plus cast iron DN80 (3") x Rp1¼"
<b>Brand</b>	Flamco
<b>Product Series</b>	T-PLUS Cast Iron
<b>Product Type</b>	3"x11/4"x3"

### Attributes

<b>Material</b>	Cast iron
<b>Surface protection</b>	Lacquered
<b>Suitable for pipe diameter</b>	3 inch (80)
<b>Suitable for outer pipe diameter [mm]</b>	88.9
<b>Mounted on pipe</b>	Clamp
<b>Undrilled</b>	No
<b>With cutter</b>	Yes
<b>Nominal inner diameter</b>	1 1/4 inch (32)
<b>Outer pipe diameter [mm]</b>	88.9
<b>Connection</b>	Clamp
<b>KIWA certified</b>	No
<b>Gastec QA</b>	No
<b>Permitted by NCP</b>	No
<b>FM quality mark</b>	No
<b>UL quality mark</b>	No
<b>ULC quality mark</b>	No
<b>VdS quality mark</b>	No
<b>LPCB quality mark</b>	No
<b>Max. operating pressure at 20 °C [bar]</b>	25
<b>Number of scales</b>	2
<b>Width [mm]</b>	83
<b>Min. medium temperature (continuous) [°C]</b>	-10
<b>Max. medium temperature (continuous) [°C]</b>	120

Type	Dimensions							
	A [mm]	B [mm]	C [mm]	D [mm]	E [mm]	F + 13 [mm]	K [mm]	M [mm]
T-plus DN 15 x Rp 1/2	100	28	19	67	47	166	66	21
T-plus DN 20 x Rp 1/2	113	34	21	77	50	179	66	21
T-plus DN 25 x Rp 3/4	115	35	25	83	56	181	66	21
T-plus DN 32 x Rp 1	130	38	29	102	69	196	66	21
T-plus DN 40 x Rp 1 1/4	165	55	35	123	83	231	66	21
T-plus DN 50 x Rp 1 1/4	167	55	43	136	83	233	66	21
T-plus DN 65 x Rp 1 1/4	190	66	52	153	83	256	66	21
T-plus DN 80 x Rp 1 1/4	190	66	58	168	83	256	66	21

Flamco Group  
Amersfoortseweg 9  
3751 LJ, Bunschoten - nl  
**T** +31 33 299 75 00  
**F** +31 33 298 64 45  
**E** [info@flamcogroup.com](mailto:info@flamcogroup.com)  
**I** [flamcogroup.com](http://flamcogroup.com)